

TivoTape™ COB Installation Instructions



Warnings and Safety



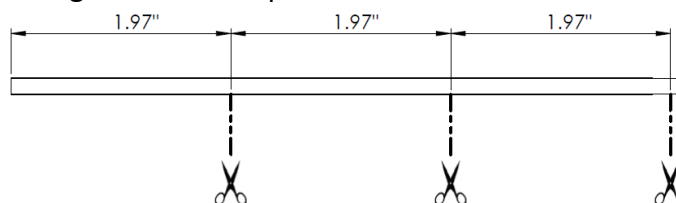
- Please verify the contents of the package!
- Please read instructions before starting the installation.
- Make sure power is off before installing or modifying the system.
- Call Tivoli LLC tech support with any questions.
- Consult any local and national codes for installation.
- Do not conceal or extend exposed conductors through a building wall per electrical code.
- Follow basic safety precautions when dealing with any luminaire application to reduce the risk of fire, electrical shock, and/or personal injuries.
- This lighting system should be installed by a certified professional.

- CAUTION - Risk of Damage. Handle carefully.
- Do not twist, bend, fold, or crease TivoTape™ COB.
- Do not bend or crease lead wire at solder point.
- Do not attempt to remove TivoTape™ COB once it has been installed.
- Attempting to pull TivoTape™ COB away from mounting surface after it has been adhered will cause damage to the product.
- Do not use chemical solvents on TivoTape™ COB during routine maintenance.
- Failure to comply will damage the product and void the warranty.

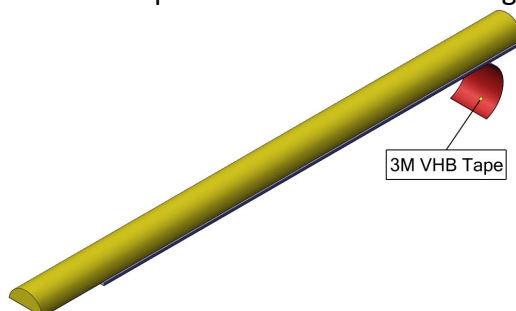
Direct to Surface Installation

NOTE: For use in clean, smooth surface applications. Attaching to textured surfaces without the use of a mounting channel is not recommended.

1. Cut the TivoTape™ COB to length. The TivoTape™ COB has cut increments of 1.97".



2. Make sure the mounting surface is smooth, clean, and free of dirt/debris.
3. Peel off the 3M VHB tape backing and apply the TivoTape™ COB to the mounting surface. Press down firmly along the entire length of the TivoTape™ COB to ensure a strong bond to the mounting surface.



4. Make the necessary electrical connections (Refer to Specification Sheet for power lead options).

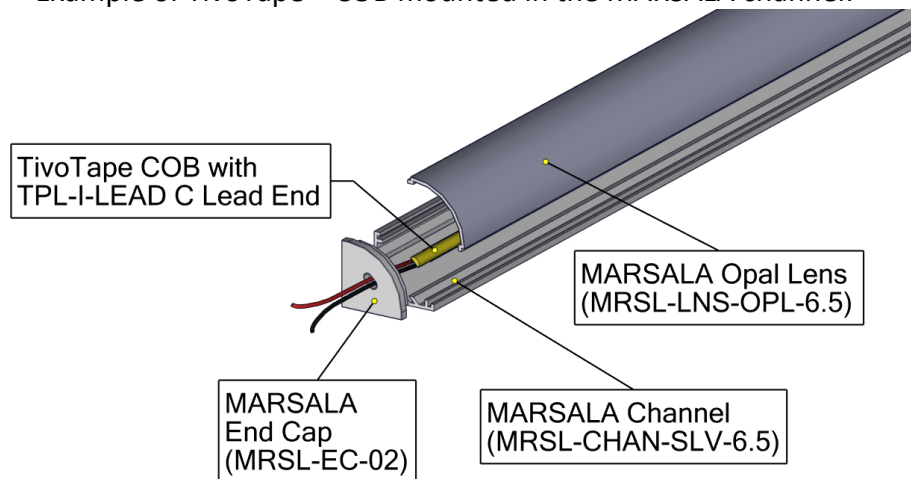
TivoTape™ COB Installation Instructions



Mounting Channel Installation

1. Install the TivoTape™ COB to the preferred mounting channel.
 - a. Refer to “Direct to Surface Installation” for installation instructions.
 - b. Refer to Specification Sheet for different mounting channels.
2. Insert the end caps and lens as required for the application.
3. Make necessary electrical connections.

Example of TivoTape™ COB mounted in the MARSALA channel:



Electrical Connections

- Turn off power before any electrical installation.
- The lead wires are marked for polarity. Connect to the power source accordingly.
- Connected to a listed Class 2, 24V DC power supply only. Refer to the Specification Sheet for the approved list of power supplies.
- The TivoTape™ COB may be dimmed. Refer to the Specification Sheet for suitable dimmers.

